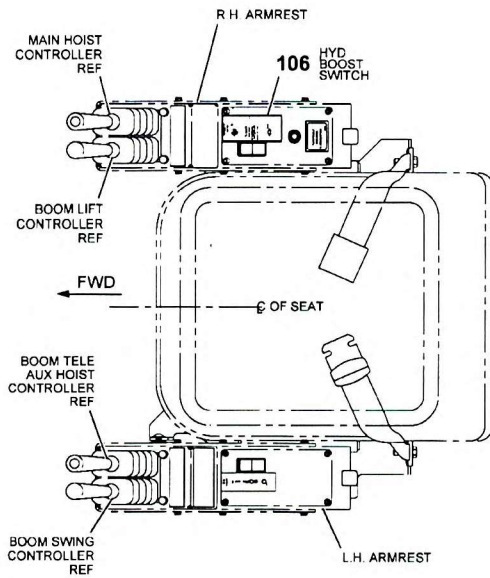
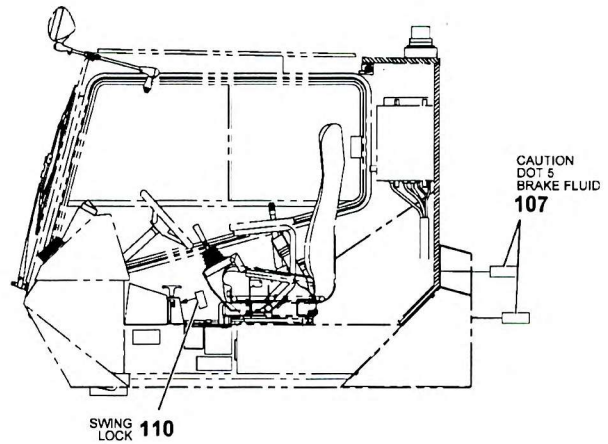


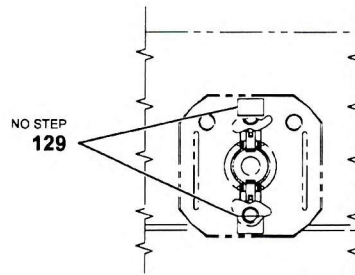
Manitowoc Crane Group



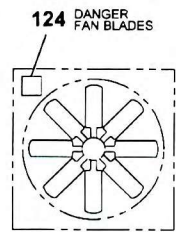
VIEW B-B
TOP VIEW OF SINGLE AXIS CONTROLLERS



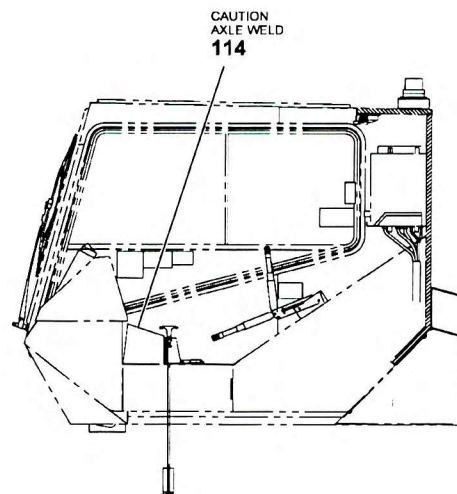
INSIDE CAB



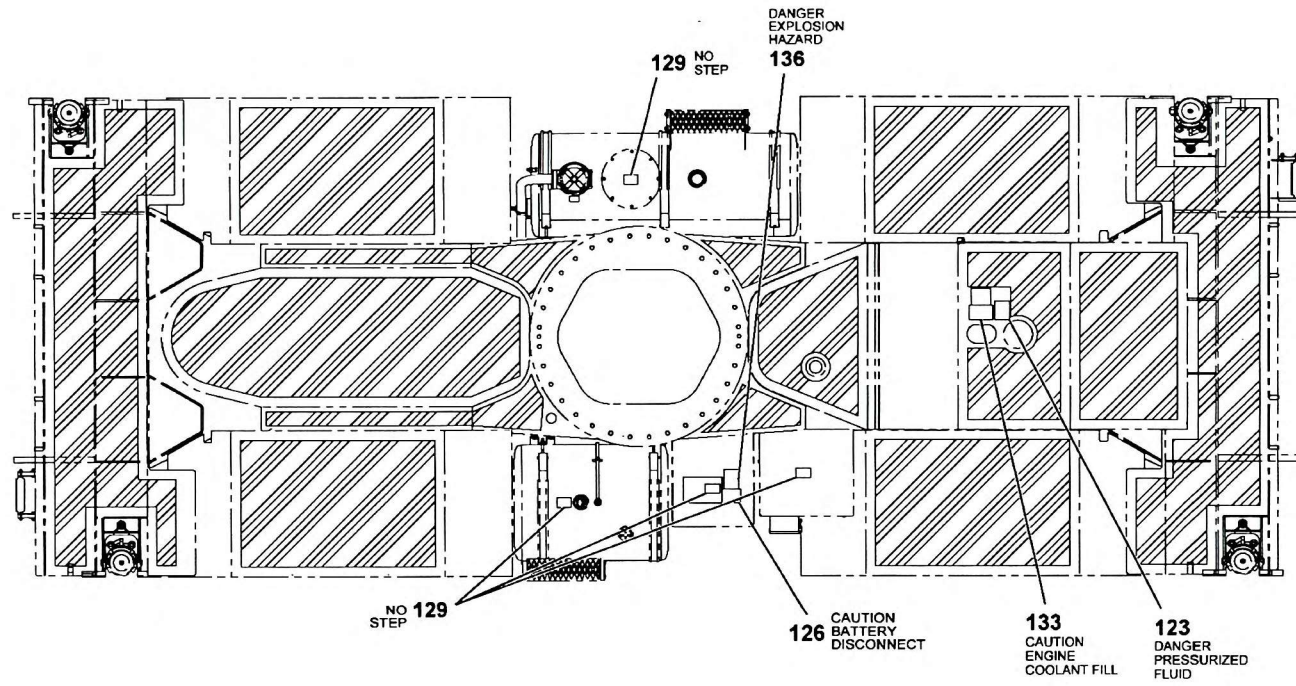
DETAIL A
TYPICAL ALL OIL PADS



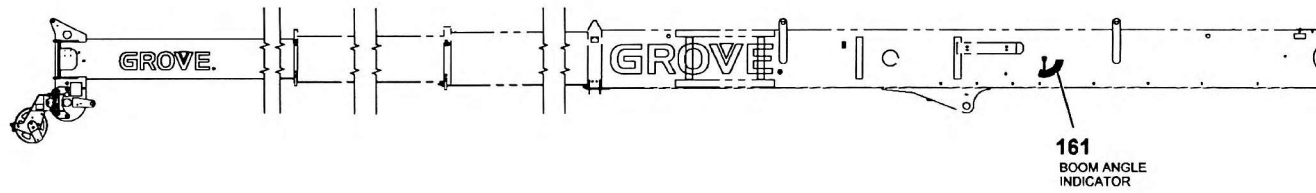
ENGINE FAN SHROUD



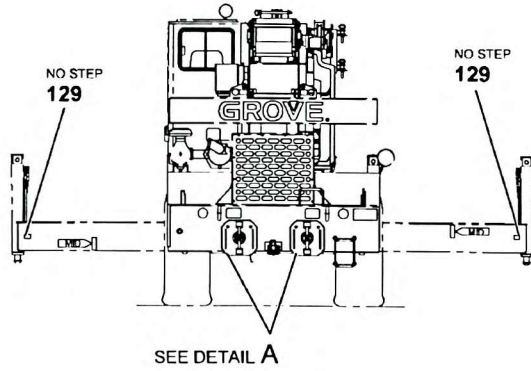
PARTIAL INSIDE VIEW OF CAB



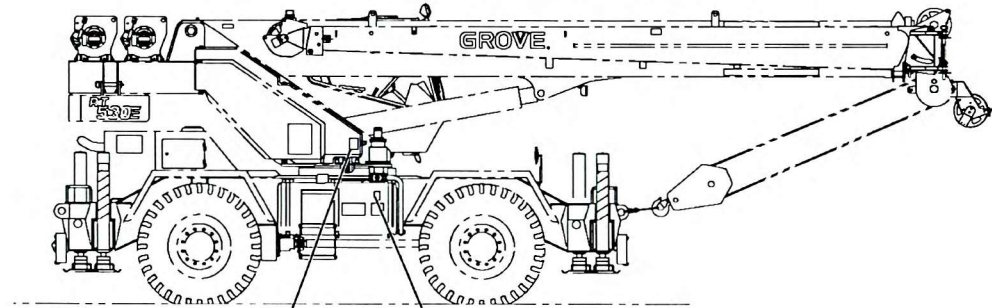
TOP VIEW W/O SUPERSTRUCTURE



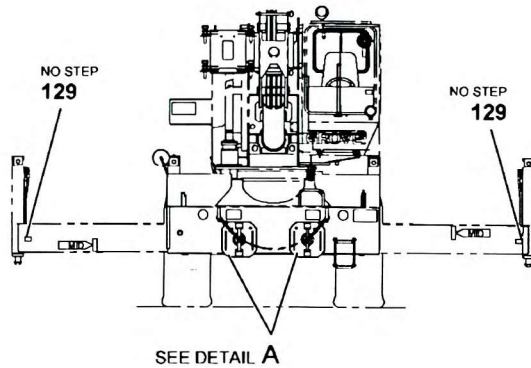
LEFT SIDE BOOM
WITH AUX BOOM NOSE



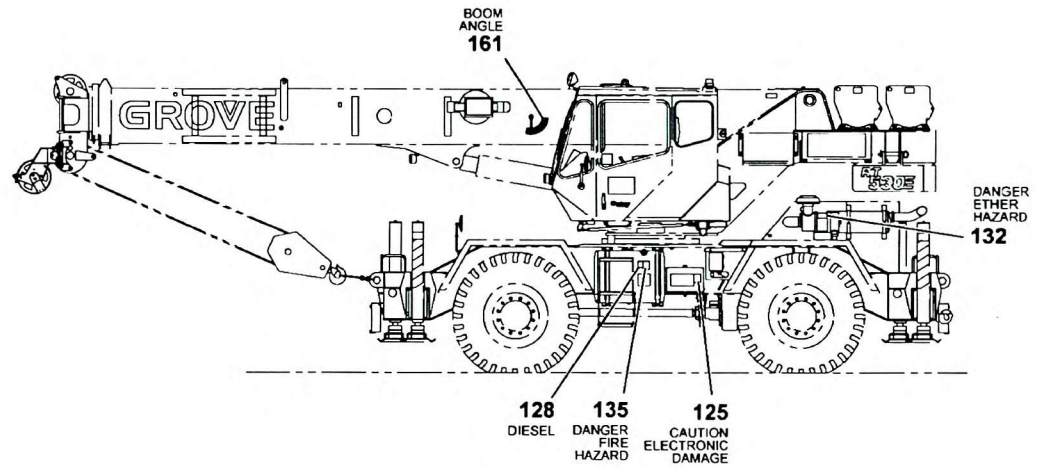
REAR VIEW



RIGHT SIDE VIEW



FRONT VIEW



LEFT SIDE VIEW